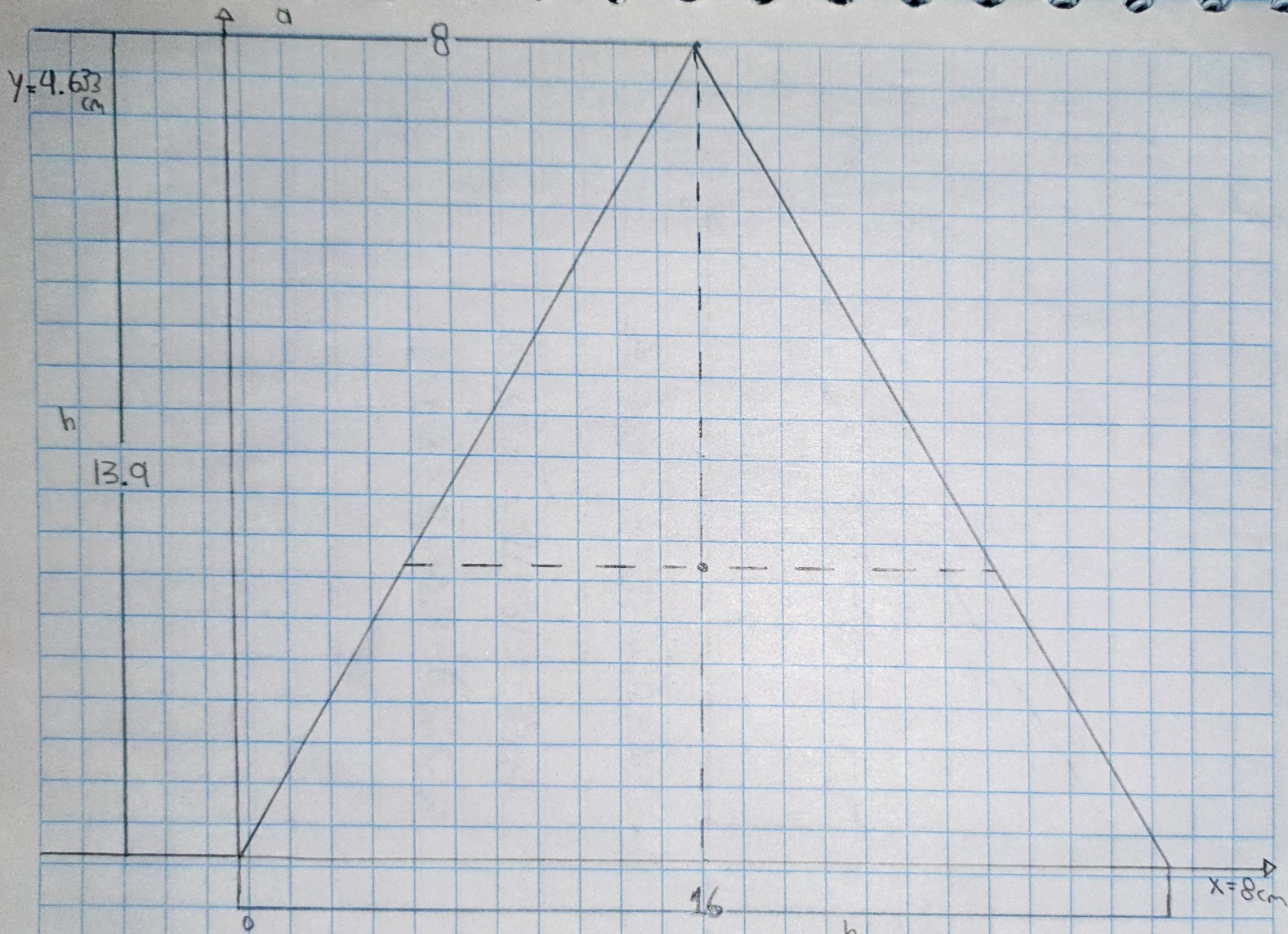




LUIS EDUARDO GUILLÉN MELGAR
UDS CAMPUS COMITÁN

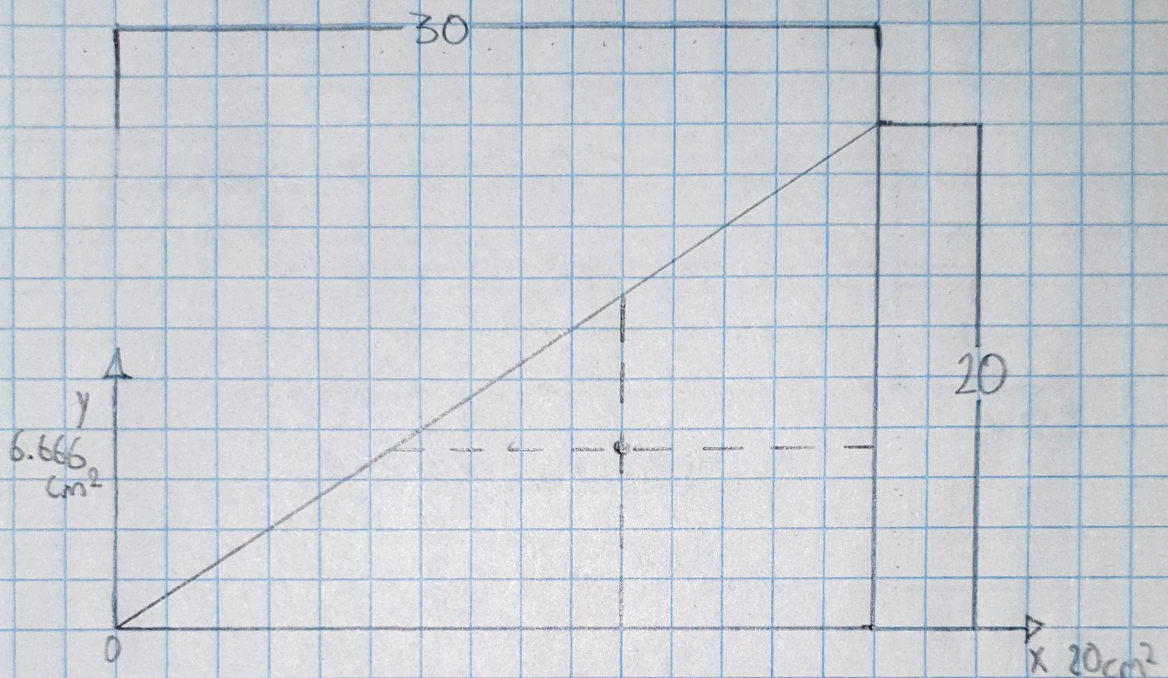
3° A
ESTÁTICA PARA LA
ARQUITECTURA
PEDRO GARCIA



$$A = b \times h / 2 = 16(13.9) / 2 = 111.2 \text{ cm}^2$$

$$x = a + b / 3 = 8 + 16 / 3 = 8 \text{ cm}$$

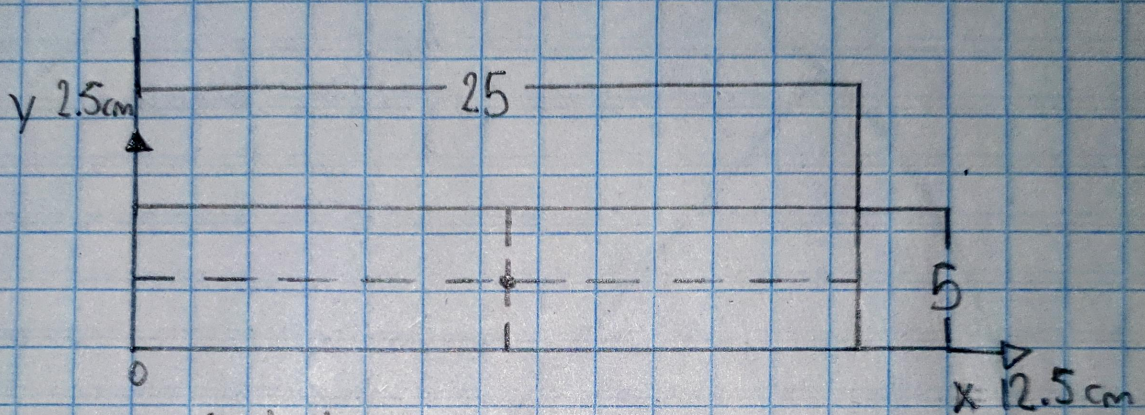
$$y = h / 3 = 13.9 / 3 = 4.633$$



$$A = \frac{b \times h}{2} = A = \frac{30(20)}{2} = 300 \text{ cm}^2$$

$$\bar{x} = \frac{2b}{3} = \bar{x} = \frac{2(30)}{3} = 20 \text{ cm}^2$$

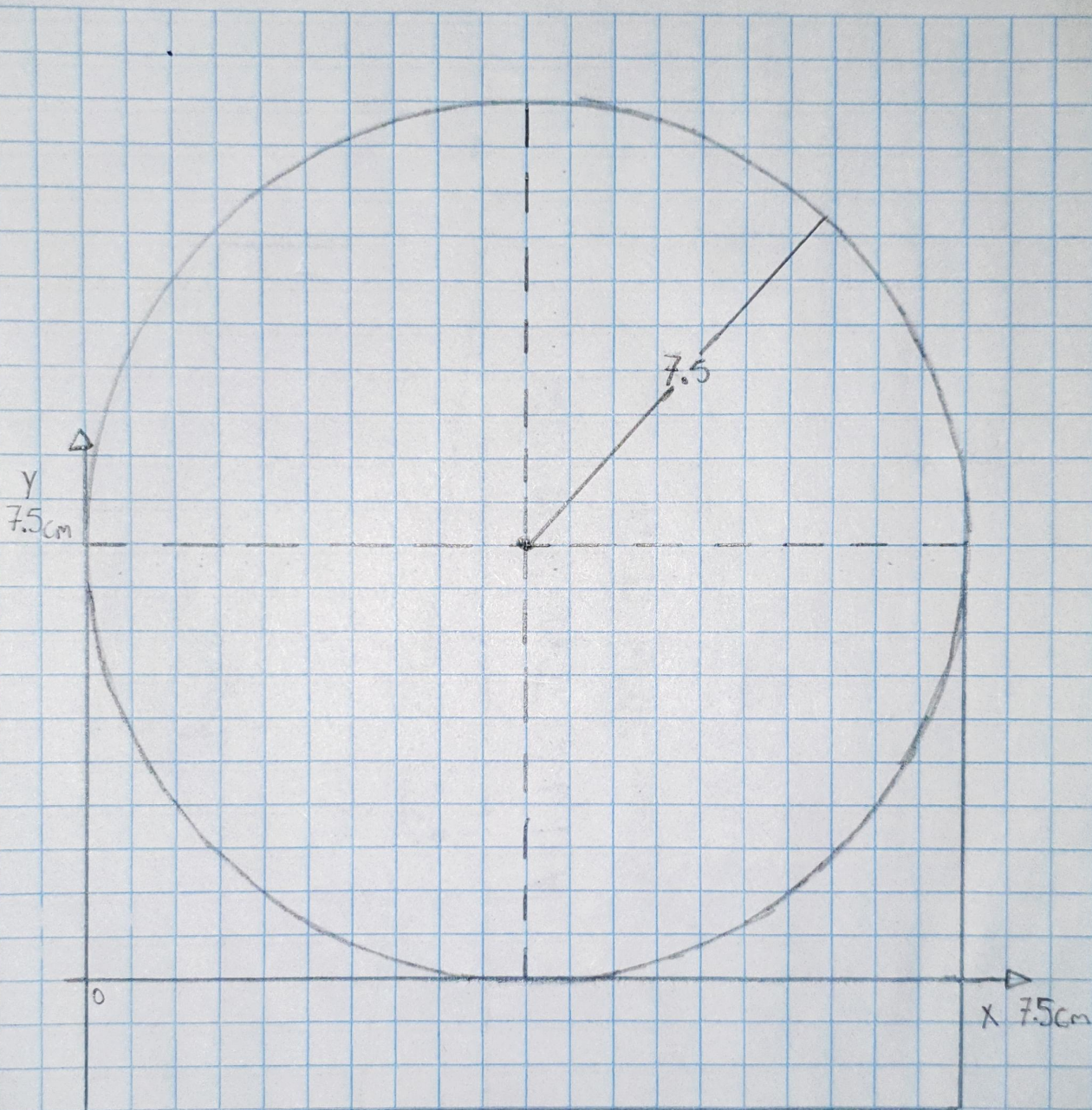
$$\bar{y} = \frac{h}{3} = \bar{y} = \frac{20}{3} = 6.666 \text{ cm}^2$$



$$A = b \times h = 25(5) = 125 \text{ cm}^2$$

$$\bar{x} = \frac{b}{2} = \frac{25}{2} = 12.5 \text{ cm}$$

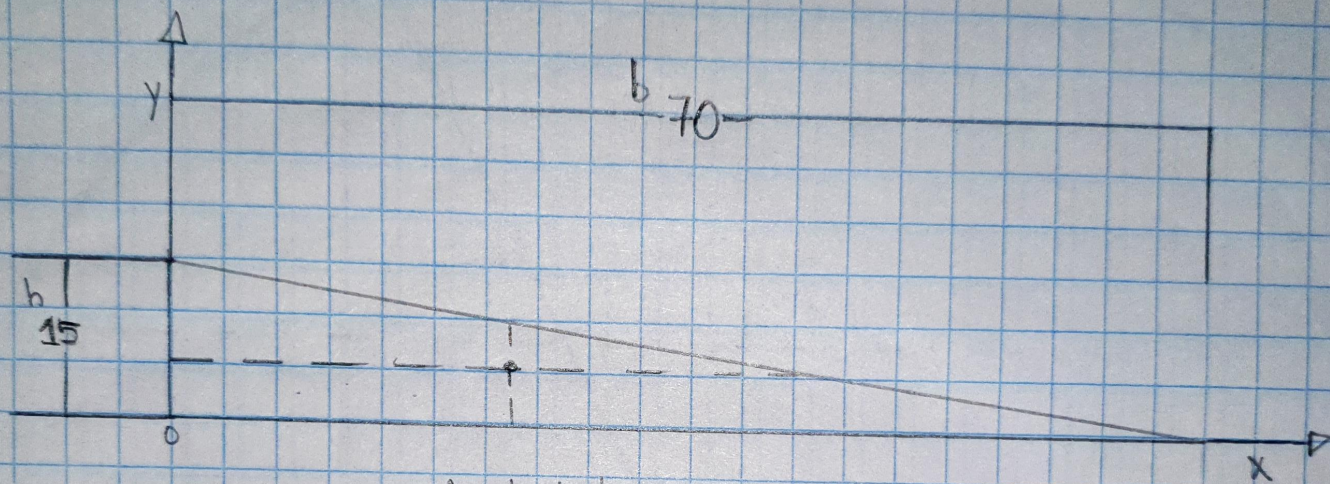
$$\bar{y} = \frac{h}{2} = \frac{5}{2} = 2.5 \text{ cm}$$



$$A = \pi \cdot R^2 = 3.1416 (7.5)^2 = 176.715 \text{ cm}^2$$

$$\bar{x} = R = 7.5 \text{ cm}$$

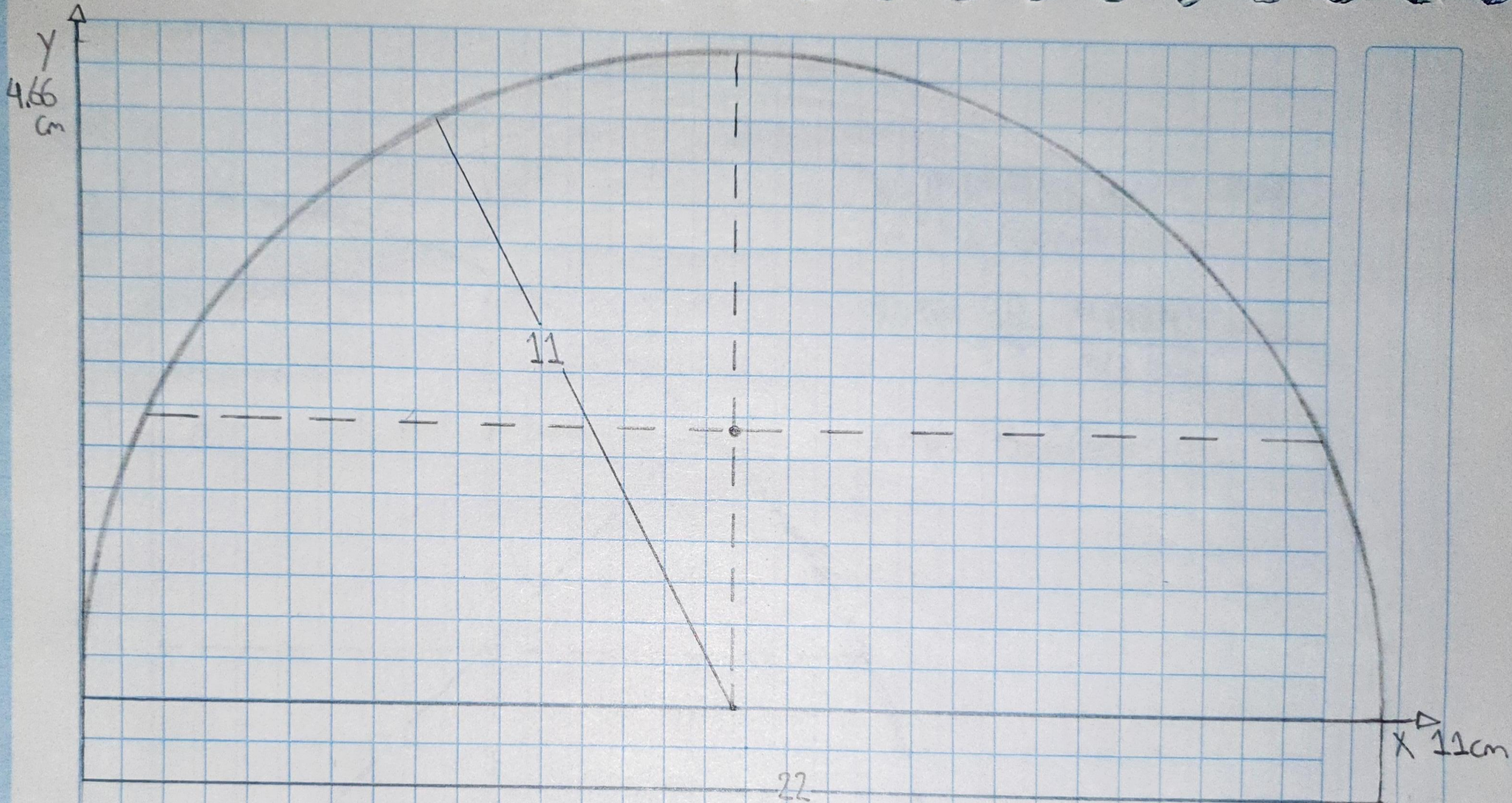
$$\bar{y} = R = 7.5 \text{ cm}$$



$$A = b \times h / 2 = 70 \times 15 / 2 = 525 \text{ cm}^2$$

$$\bar{x} = b / 3 = 70 / 3 = 23.333$$

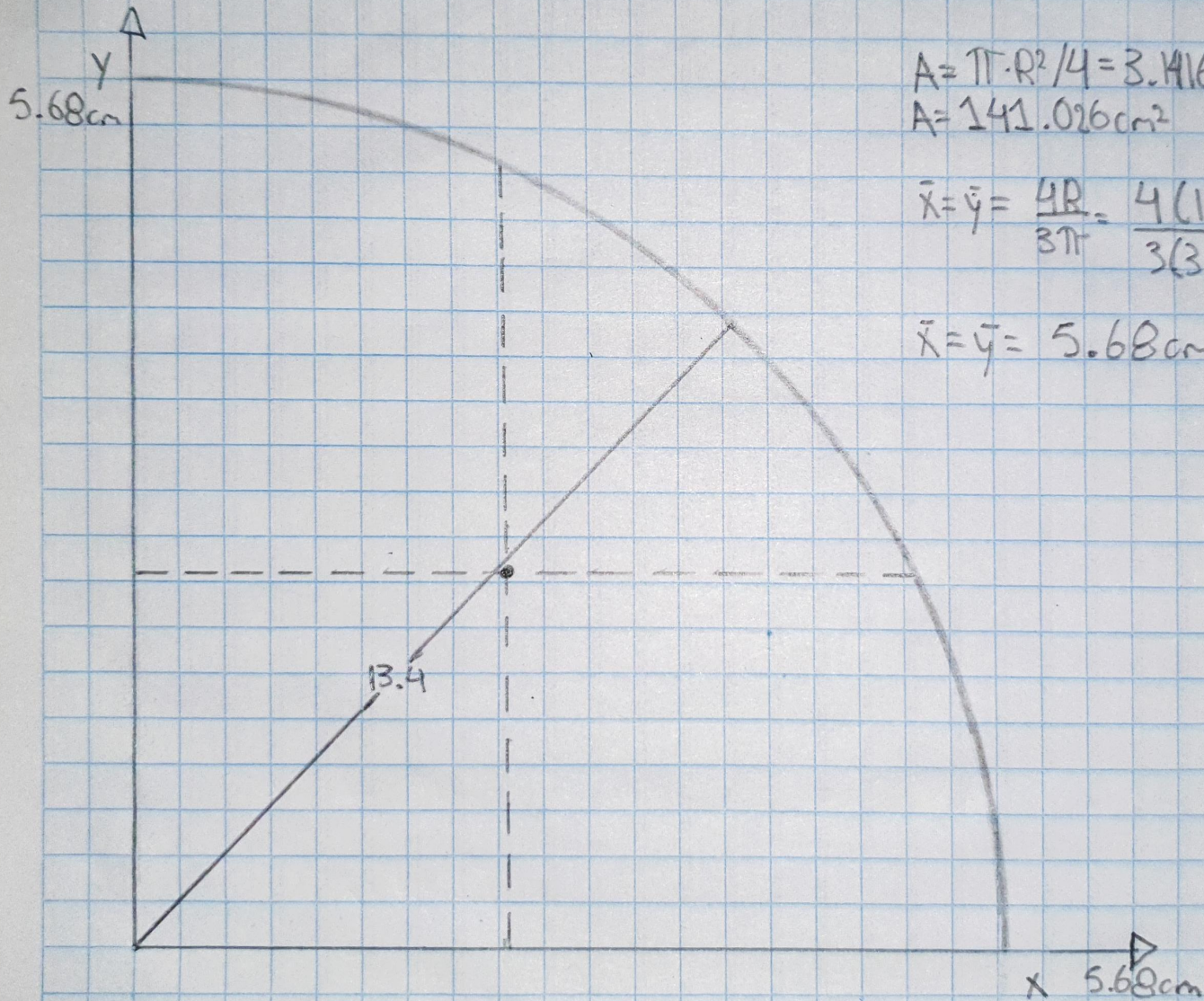
$$\bar{y} = h / 3 = 15 / 3 = 5$$



$$A = \frac{\pi \cdot R^2}{2} = \frac{3.1416(11)^2}{2} = 190.0668 \text{ cm}^2$$

$$x = R = 11 \text{ cm}$$

$$\bar{y} = \frac{4R}{3\pi} = \frac{4(11)}{3(3.1416)} = 4.66 \text{ cm}$$



$$A = \pi \cdot R^2 / 4 = 3.1416 (13.4)^2 / 4$$

$$A = 141.026 \text{ cm}^2$$

$$\bar{x} = \bar{y} = \frac{4R}{3\pi} = \frac{4(13.4)}{3(3.1416)}$$

$$\bar{x} = \bar{y} = 5.68 \text{ cm}$$