

# ÁREAS DE ACERO



- Lic. Arquitectura
- 5to cuatrimestre
- Rudy Guillén Pohlenz
- PEDRO ALBERTO GARCIA LOPEZ
- ANALISIS DE ESTRUCTURAS

12/03/2021

C-1

STAAD.Pro V8i (SELECTseries 6) - C-1

File Edit View Tools Select Geometry Commands Analyze Mode Bentley Cloud Services Window Help

C-1.lnd - STAAD Output Viewer

File Edit View Help

WARNING

\*\*\*WARNING - INSTABILITY AT JOINT

REQUIRED REINF. STEEL SUMMARY :

SECTION ( MM )	REINF STEEL (+VE/-VE) ( SQ. MM )	MOMENTS (+VE/-VE) ( KNS-MET )	LOAD (+VE/-VE)		
0.00	0.00/	0.00	0./	0.00	0/ 1
675.00	455.32/	0.00	93./	0.00	1/ 0
1350.00	867.92/	0.00	169./	0.00	1/ 0
2025.00	1222.56/	0.00	229./	0.00	1/ 0
2700.00	1499.88/	0.00	271./	0.00	1/ 0
3375.00	1678.48/	0.00	296./	0.00	1/ 0
4050.00	1740.41/	0.00	305./	0.00	1/ 0
4725.00	1678.48/	0.00	296./	0.00	1/ 0
5400.00	1499.88/	0.00	271./	0.00	1/ 0
6075.00	1222.56/	0.00	229./	0.00	1/ 0
6750.00	867.92/	0.00	169./	0.00	1/ 0
7425.00	455.31/	0.00	93./	0.00	1/ 0
8100.00	0.00/	0.00	0./	0.00	0/ 1

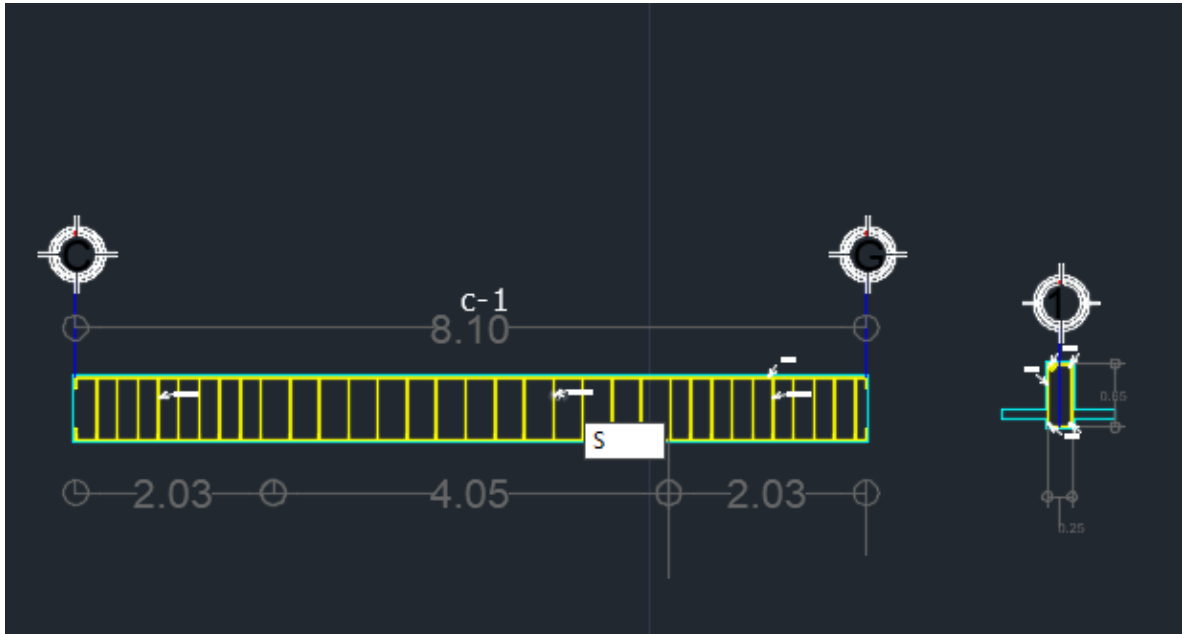
BEAM NO. 1 DESIGN RESULTS - SHEAR

NOTES RESULTS

Total Page: 4 INUM

For Help, press F1

Modeling Mo. Load 1: CM-CV Input Units: kg-m



c-5

The screenshot shows the STAAD.Pro V8i (SELECTseries 6) - c-5 interface. The main window displays the 'REQUIRED REINF. STEEL SUMMARY' table, which provides design results for shear. A warning message is also visible: '\*\*\*WARNING - INSTABILITY AT JOINT'. The interface includes a menu bar, a toolbar, and a left-hand navigation pane.

SECTION ( MM )	REINF STEEL (+VE/-VE) ( SQ. MM )	MOMENTS (+VE/-VE) ( KNS-MET )	LOAD (+VE/-VE)		
0.00	0.00/	0.00	0./	0.00	0/ 1
608.33	385.24/	0.00	73./	0.00	1/ 0
1216.67	725.45/	0.00	132./	0.00	1/ 0
1825.00	1009.45/	0.00	178./	0.00	1/ 0
2433.33	1224.95/	0.00	211./	0.00	1/ 0
3041.67	1360.17/	0.00	231./	0.00	1/ 0
3650.00	1406.34/	0.00	237./	0.00	1/ 0
4258.33	1360.17/	0.00	231./	0.00	1/ 0
4866.67	1224.95/	0.00	211./	0.00	1/ 0
5475.00	1009.45/	0.00	178./	0.00	1/ 0
6083.33	725.45/	0.00	132./	0.00	1/ 0
6691.67	385.24/	0.00	73./	0.00	1/ 0
7300.00	0.00/	0.00	0./	0.00	0/ 1

BEAM NO. 1 DESIGN RESULTS - SHEAR

STAAD SPACE

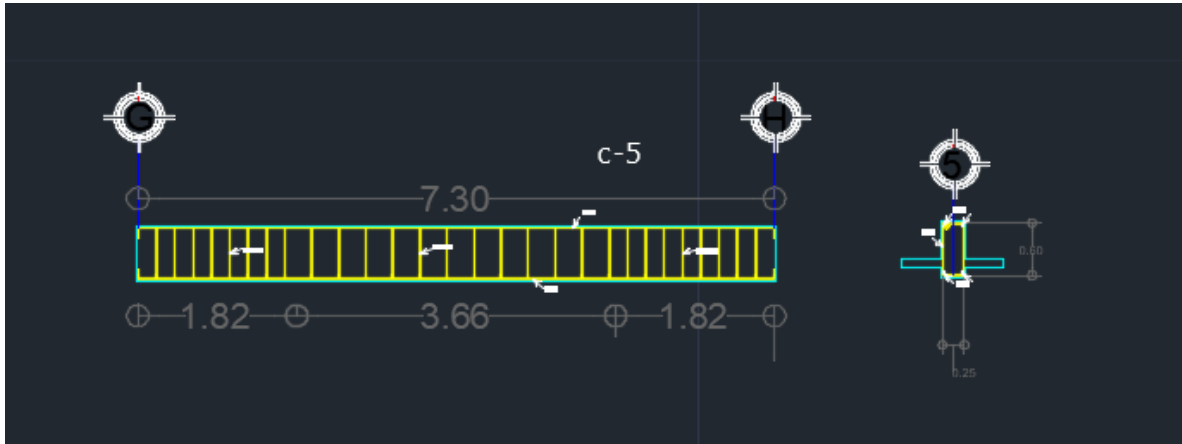
--- PAGE NO. ---

Total Page: 4 INUM

For Help, press F1

Modeling Mo. Load 1: CM-CV

Input Units: kg-m



c-17

\*\*\*WARNING - INSTABILITY AT JOINT

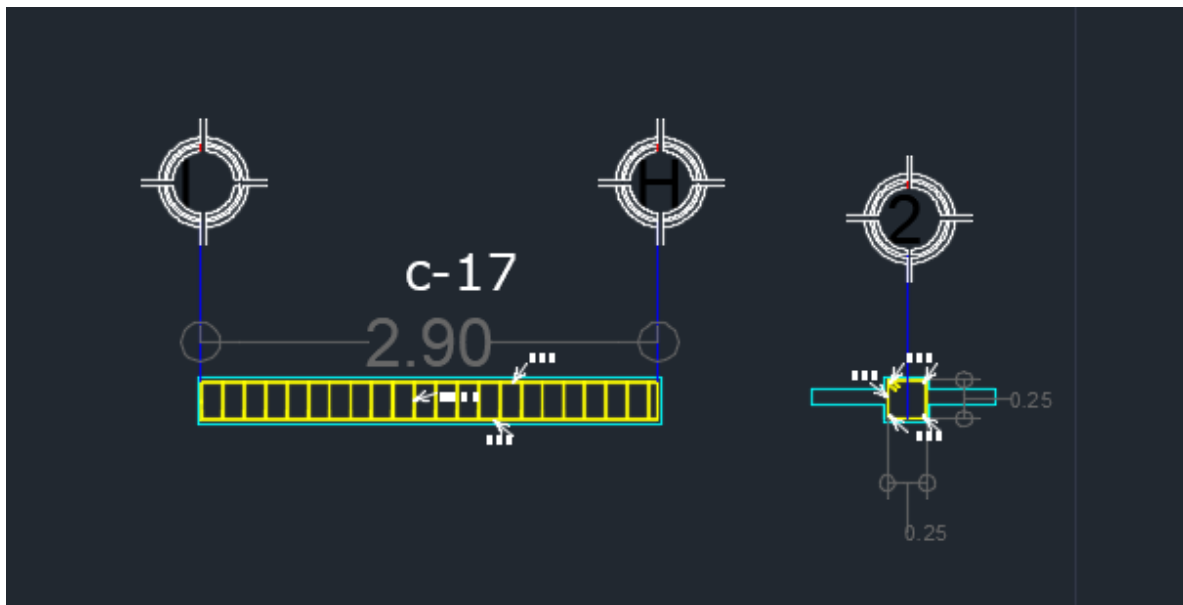
Cracked Moment of Inertia  $I_z$  at above location =0.11068E+09 mm<sup>4</sup>

REQUIRED REINF. STEEL SUMMARY :

SECTION ( MM )	REINF STEEL(+VE/-VE) ( SQ. MM )	MOMENTS (+VE/-VE) ( KNS-MET )	LOAD(+VE/-VE)
0.00	0.00/	0.00	0./ 0.00 0/ 1
241.67	150.33/	0.00	10./ 0.00 1/ 0
483.33	286.42/	0.00	19./ 0.00 1/ 0
725.00	403.27/	0.00	25./ 0.00 1/ 0
966.67	494.53/	0.00	30./ 0.00 1/ 0
1208.33	553.24/	0.00	33./ 0.00 1/ 0
1450.00	573.58/	0.00	34./ 0.00 1/ 0
1691.67	553.24/	0.00	33./ 0.00 1/ 0
1933.33	494.53/	0.00	30./ 0.00 1/ 0
2175.00	403.27/	0.00	25./ 0.00 1/ 0
2416.67	286.42/	0.00	19./ 0.00 1/ 0
2658.33	150.33/	0.00	10./ 0.00 1/ 0
2900.00	0.00/	0.00	0./ 0.00 0/ 1

Total Page: 4 INUM

Modeling Mo. Load 1: CM-CV Input Units: kg-m



Cracked Moment of Inertia I<sub>z</sub> at above location = 0.27125E+10 mm<sup>4</sup>

\*\*\*WARNING-Loading values are blank  
\*\*\*WARNING - INSTABILITY AT JOINT

**REQUIRED REINF. STEEL SUMMARY :**

SECTION ( MM )	REINF STEEL(+VE/-VE) (SQ. MM )	MOMENTS (+VE/-VE) (EN8-MET )	LOAD(+VE/-VE)	NUM	
0.00	0.00/	0.00	0./	0.00	0/ 1
929.17	229.67/	0.00	32./	0.00	1/ 0
1858.33	235.33/	0.00	58./	0.00	1/ 0
2787.50	318.86/	0.00	78./	0.00	1/ 0
3716.67	378.90/	0.00	93./	0.00	1/ 0
4645.83	415.09/	0.00	101./	0.00	1/ 0
5575.00	427.18/	0.00	104./	0.00	1/ 0
6504.17	427.18/	0.00	101./	0.00	1/ 0
7433.33	427.18/	0.00	93./	0.00	1/ 0
8362.50	427.18/	0.00	78./	0.00	1/ 0
9291.67	427.18/	0.00	58./	0.00	1/ 0
10220.83	427.18/	0.00	32./	0.00	1/ 0
11150.00	0.00/	0.00	0./	0.00	0/ 1

**BEAM NO. 1 DESIGN RESULTS - SHEAR**

Total Page: 4 INUM

For Help, press F1

Modeling Mo. Load 1 : CM-CV

Input Units: kg-m