



ÁREAS DE ACERO

- Lic. Arquitectura
- 5to cuatrimestre
- Jorge Iván Sosa Guillén
- PEDRO ALBERTO GARCIA LOPEZ
- ANALISIS DE ESTRUCTURAS

12/03/2021

Cerramiento-5

STAAD.Pro V8i (SELECTseries 6) - c-5

File Edit View Tools Select Geometry Commands Analyze Mode Bentley Cloud Services Window Help

c-5.snl - STAAD Output Viewer

File Edit View Help

WARNING

***WARNING - INSTABILITY AT JOINT

REQUIRED REINF. STEEL SUMMARY :

SECTION (MM)	REINF STEEL (+VE/-VE) (SQ. MM)	MOMENTS (+VE/-VE) (KNS-MET)	LOAD (+VE/-VE)
0.00	0.00/	0.00	0./ 0.00 0/ 1
277.50	135.29/	0.00	11./ 0.00 1/ 0
555.00	260.67/	0.00	21./ 0.00 1/ 0
832.50	371.51/	0.00	28./ 0.00 1/ 0
1110.00	461.06/	0.00	33./ 0.00 1/ 0
1387.50	520.60/	0.00	37./ 0.00 1/ 0
1665.00	541.68/	0.00	38./ 0.00 1/ 0
1942.50	520.60/	0.00	37./ 0.00 1/ 0
2220.00	461.06/	0.00	33./ 0.00 1/ 0
2497.50	371.51/	0.00	28./ 0.00 1/ 0
2775.00	260.67/	0.00	21./ 0.00 1/ 0
3052.50	135.29/	0.00	11./ 0.00 1/ 0
3330.00	0.00/	0.00	0./ 0.00 0/ 1

BEAM NO. 1 DESIGN RESULTS - SHEAR

AT START SUPPORT - Vu= 0.08 KN Vc= 0.00 KN Vs= 0.00 KN

Total Page: 4 NUM

For Help, press F1

Modeling Mo. Load 1: CV-CM

Input Units: kg-m



Cerramiento-12

Cracked Moment of Inertia I_z at above location = $0.31842E+09 \text{ mm}^4$

***WARNING - INSTABILITY AT JOINT
**WARNING - CONSECUTIVE ANALYSIS

REQUIRED REINF. STEEL SUMMARY :

SECTION (MM)	REINF STEEL (+VE/-VE) (SQ. MM)	MOMENTS (+VE/-VE) (ENB-MET)	LOAD (+VE/-VE)		
0.00	0.00/	0.00	0./	0.00	0/ 1
369.17	145.71/	0.00	17./	0.00	1/ 0
738.33	276.93/	0.00	31./	0.00	1/ 0
1107.50	388.89/	0.00	41./	0.00	1/ 0
1476.67	475.75/	0.00	49./	0.00	1/ 0
1845.83	531.28/	0.00	54./	0.00	1/ 0
2215.00	550.46/	0.00	55./	0.00	1/ 0
2584.17	531.28/	0.00	54./	0.00	1/ 0
2953.33	475.75/	0.00	49./	0.00	1/ 0
3322.50	388.89/	0.00	41./	0.00	1/ 0
3691.67	276.93/	0.00	31./	0.00	1/ 0
4060.83	145.71/	0.00	17./	0.00	1/ 0
4430.00	0.00/	0.00	0./	0.00	1/ 0

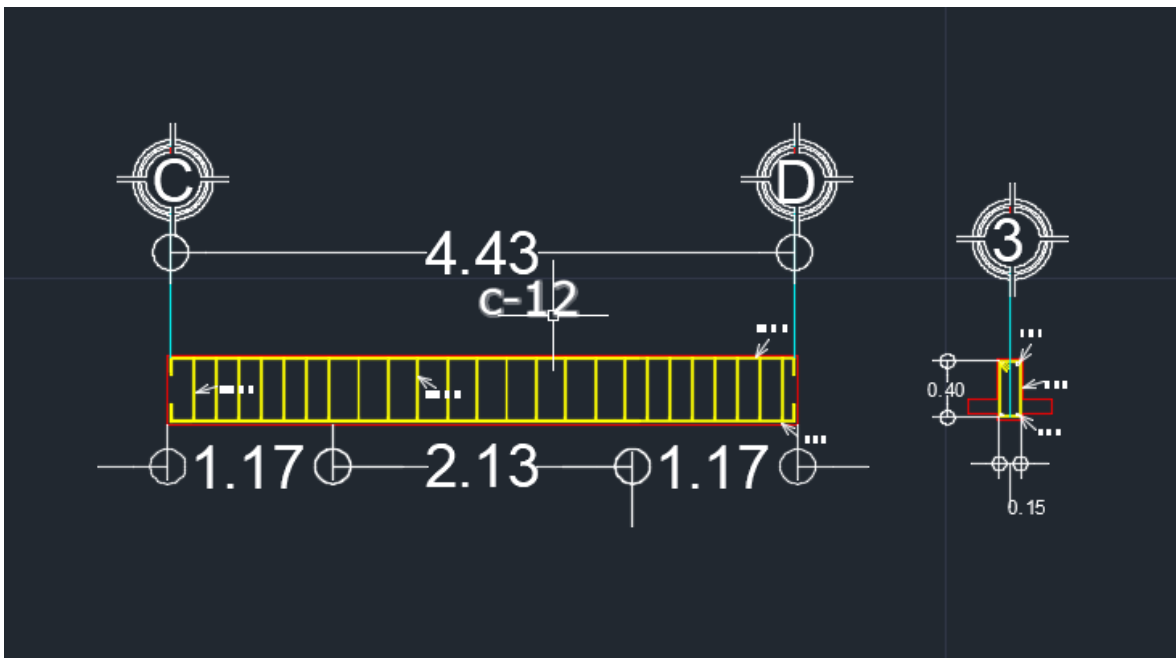
BEAM NO. 1 DESIGN RESULTS - SHEAR

Total Page: 4 NUM

For Help, press F1

Modeling Mo Load 1: CV-CM

Input Units: kg-m



Cerramiento-11

ceramiento c-11 - STAAD Output Viewer

WARNING

***WARNING - INSTABILITY AT JOINT

REQUIRED REINF. STEEL SUMMARY :

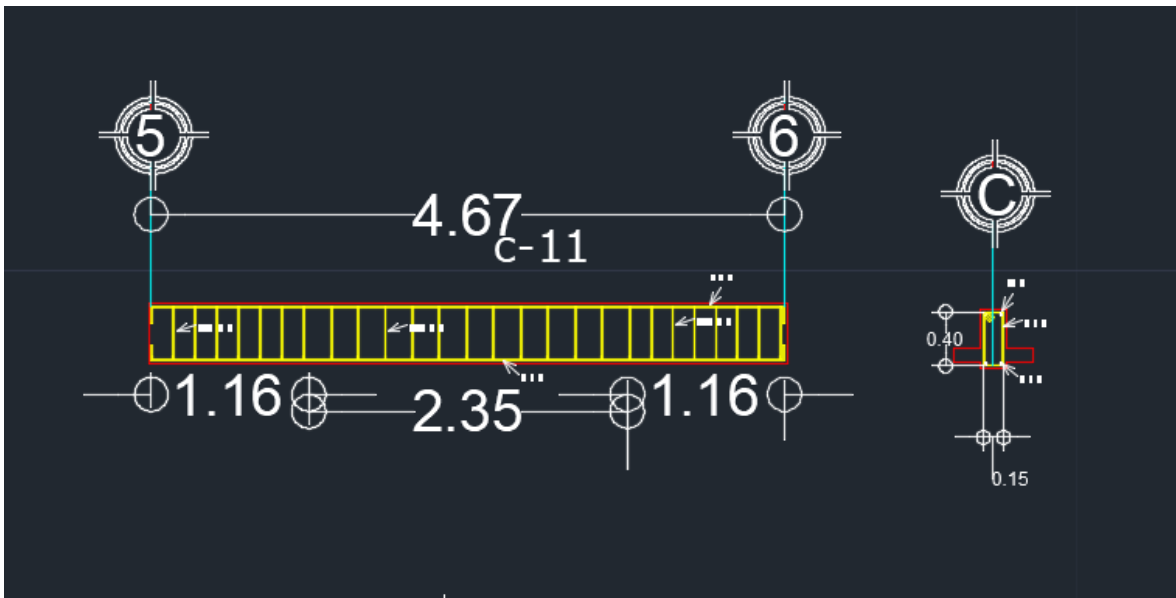
SECTION (MM)	REINF STEEL (+VE/-VE) (SQ. MM)	MOMENTS (+VE/-VE) (KNS-MET)	LOAD (+VE/-VE)
0.00	0.00/	0.00	0/ 1
389.17	121.28/	0.00	12./ 0.00 1/ 0
778.33	179.27/	0.00	22./ 0.00 1/ 0
1167.50	247.35/	0.00	29./ 0.00 1/ 0
1556.67	298.05/	0.00	35./ 0.00 1/ 0
1945.83	329.40/	0.00	38./ 0.00 1/ 0
2335.00	340.01/	0.00	39./ 0.00 1/ 0
2724.17	329.40/	0.00	38./ 0.00 1/ 0
3113.33	298.05/	0.00	35./ 0.00 1/ 0
3502.50	247.35/	0.00	29./ 0.00 1/ 0
3891.67	179.27/	0.00	22./ 0.00 1/ 0
4280.83	121.28/	0.00	12./ 0.00 1/ 0
4670.00	0.00/	0.00	0./ 0.00 0/ 1

BEAM NO. 1 DESIGN RESULTS - SHEAR

Total Page: 4 NUM

For Help, press F1

Modeling Mo Load 1: CM-CV Input Units: kg-m



Cerramiento-1

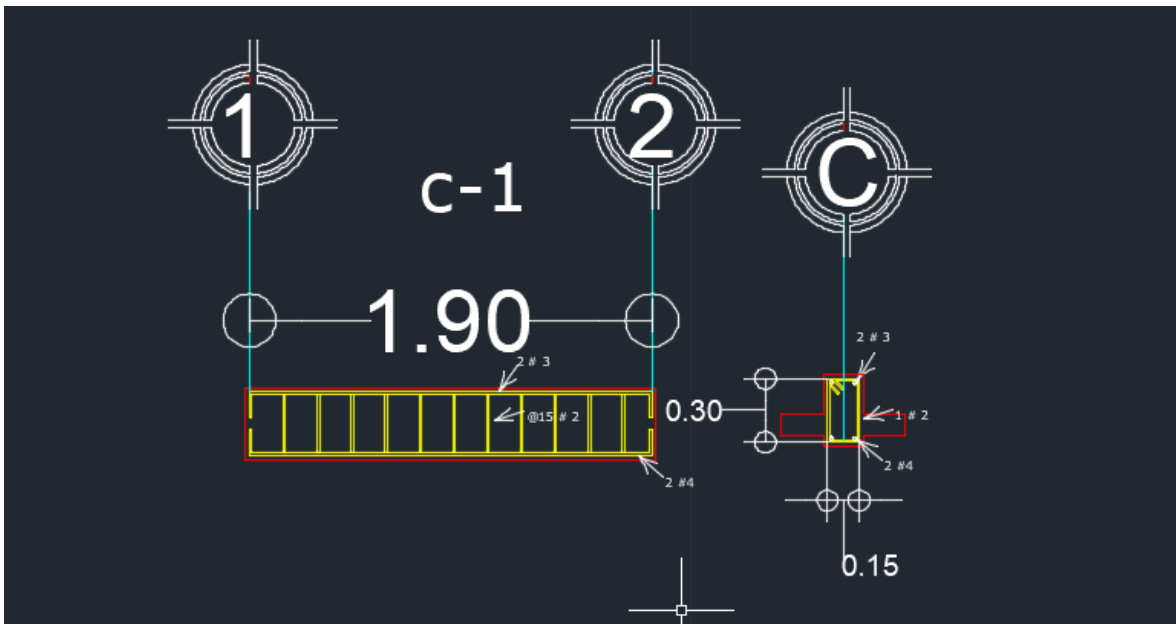
REQUIRED REINF. STEEL SUMMARY :

SECTION (MM)	REINF STEEL (+VE/-VE) (SQ. MM)	MOMENTS (+VE/-VE) (KNS-MET)	LOAD (+VE/-VE)
0.00	0.00/	0.00	0./ 0.00 1/ 0
158.33	54.40/	0.00	2./ 0.00 1/ 0
316.67	54.40/	0.00	3./ 0.00 1/ 0
475.00	65.46/	0.00	4./ 0.00 1/ 0
633.33	77.90/	0.00	5./ 0.00 1/ 0
791.67	85.42/	0.00	6./ 0.00 1/ 0
950.00	85.92/	0.00	6./ 0.00 1/ 0
1108.33	85.92/	0.00	6./ 0.00 1/ 0
1266.67	85.92/	0.00	5./ 0.00 1/ 0
1425.00	85.92/	0.00	4./ 0.00 1/ 0
1583.33	85.92/	0.00	3./ 0.00 1/ 0
1741.67	85.92/	0.00	2./ 0.00 1/ 0
1900.00	0.00/	0.00	0./ 0.00 0/ 1

BEAM NO. 1 DESIGN RESULTS - SHEAR

AT START SUPPORT - Vu= 0.02 KN Vc= 0.00 KN Vs= 0.00 KN

WARNING
***WARNING - INSTABILITY AT JOINT



Cerramiento-2

Cracked Moment of Inertia I_z at above location = 0.27550E+09 mm⁴

***WARNING - INSTABILITY AT JOINT

REQUIRED REINF. STEEL SUMMARY :

SECTION (MM)	REINF STEEL (+VE/-VE) (SQ. MM)	MOMENTS (+VE/-VE) (KNS-MET)	LOAD (+VE/-VE)		
0.00	0.00/	0.00	0./	0.00	0/ 1
380.83	121.28/	0.00	13./	0.00	1/ 0
761.67	197.90/	0.00	24./	0.00	1/ 0
1142.50	273.80/	0.00	32./	0.00	1/ 0
1523.33	330.65/	0.00	38./	0.00	1/ 0
1904.17	365.95/	0.00	41./	0.00	1/ 0
2285.00	377.93/	0.00	43./	0.00	1/ 0
2665.83	365.95/	0.00	41./	0.00	1/ 0
3046.67	330.65/	0.00	38./	0.00	1/ 0
3427.50	273.80/	0.00	32./	0.00	1/ 0
3808.33	197.90/	0.00	24./	0.00	1/ 0
4189.17	121.28/	0.00	13./	0.00	1/ 0
4570.00	0.00/	0.00	0./	0.00	0/ 1

BEAM NO. 1 DESIGN RESULTS - SHEAR

Total Page: 4 NUM

Modeling Mo Load 1: cv-cm Input Units: kg-m

